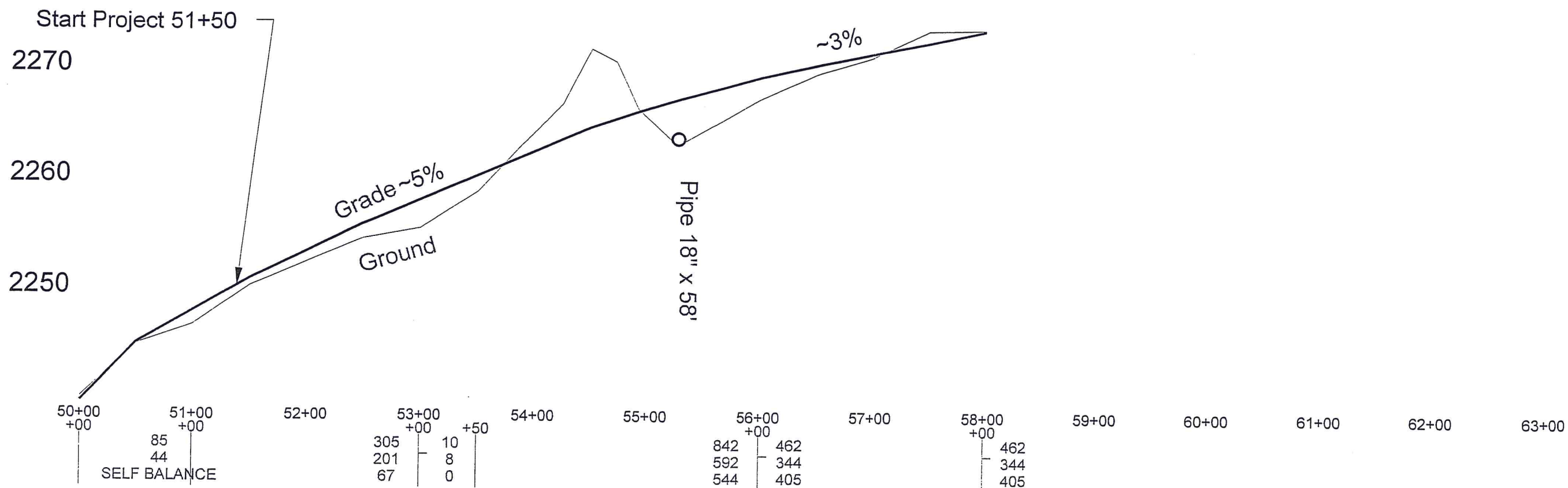
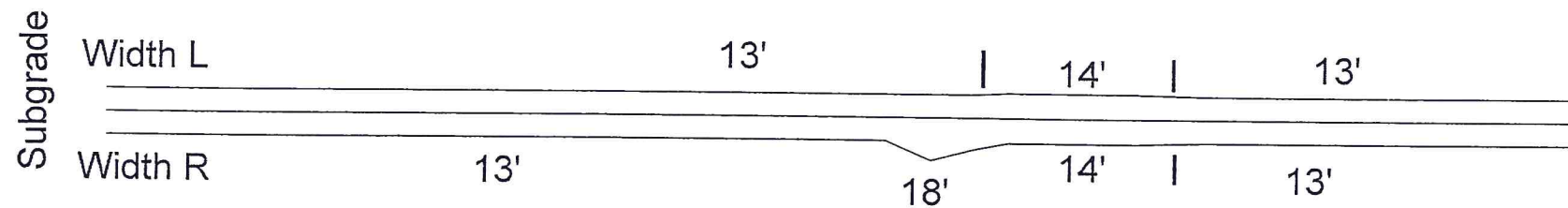
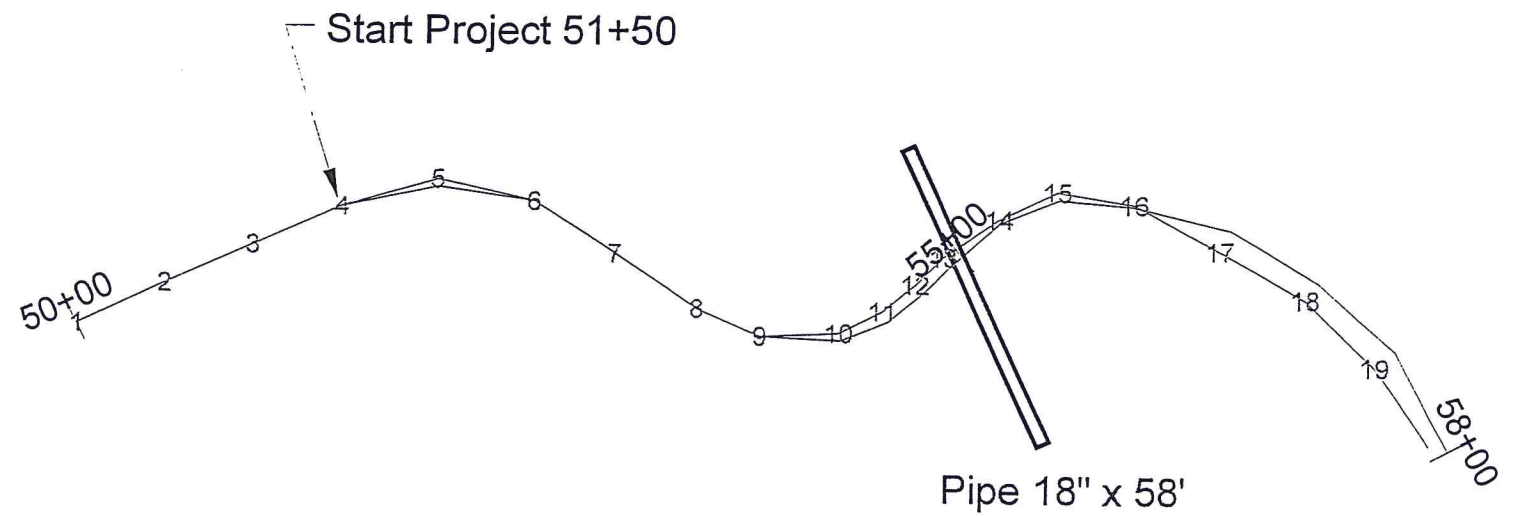


Ranch on Swauk Creek  
Swauk Road 'A' Segment 2.1



50+00 +00	51+00 +00	52+00	53+00 +00	+50	54+00	55+00	56+00 +00	57+00	58+00 +00	59+00	60+00	61+00	62+00	63+00
	85 44		305 201 67	10 8 0			842 592 544	462 344 405	462 344 405					

DATE: 7/10/06
REVISIONS:

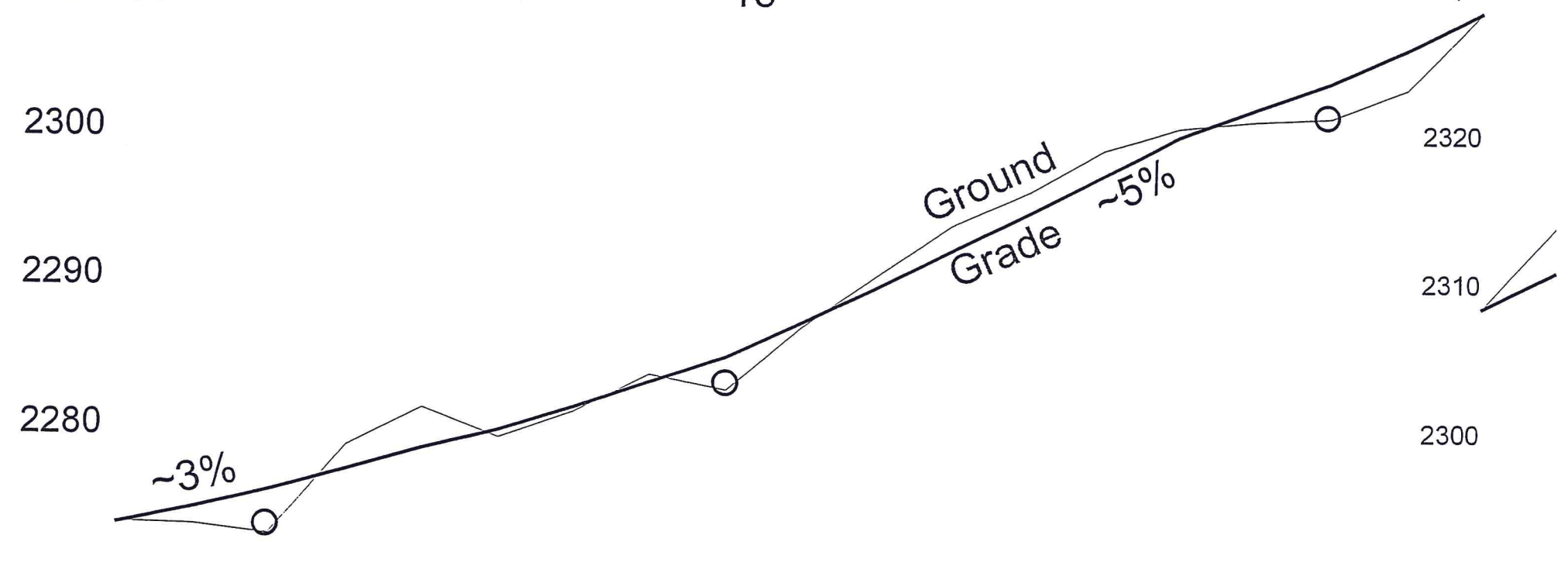
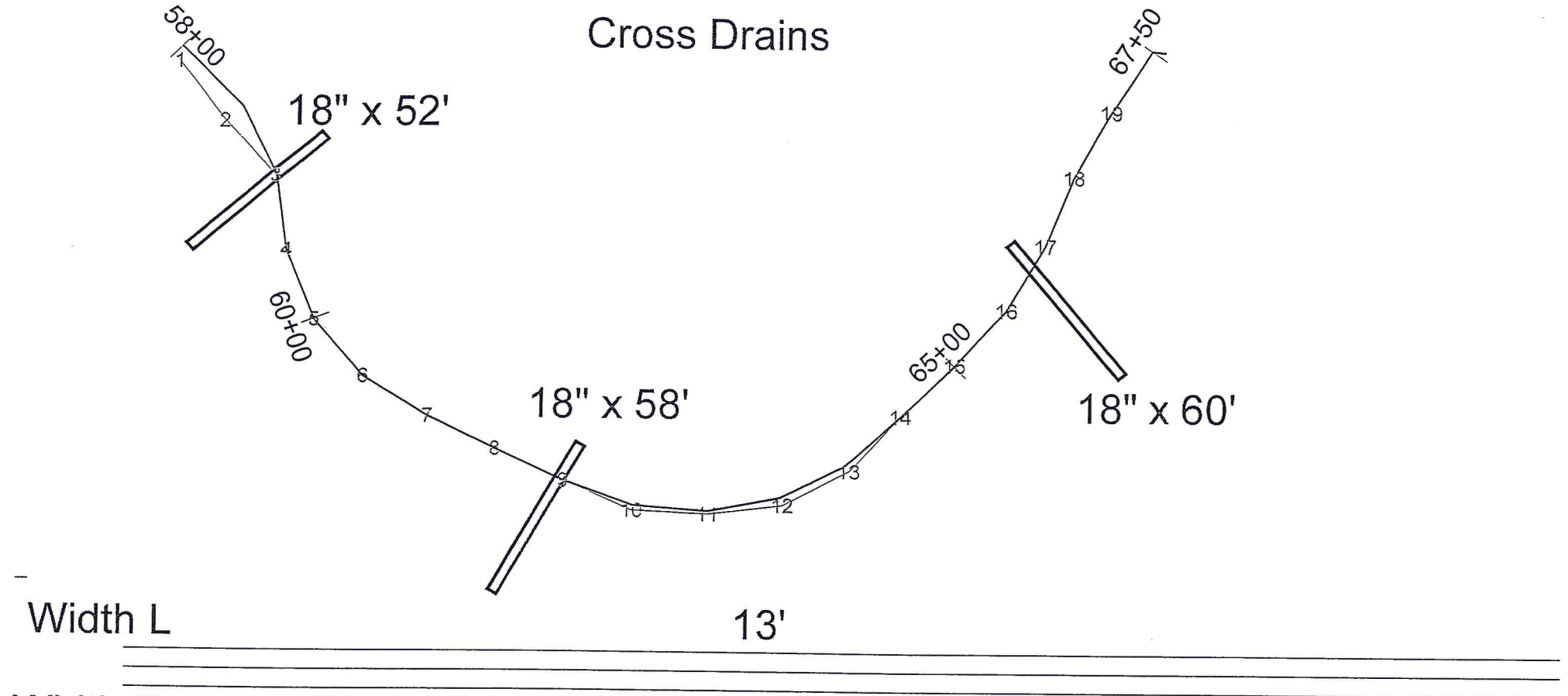
**EVERGREEN VALLEY UTILITIES**  
P.O. BOX 808  
CLE ELUM, WASHINGTON 98922  
PH: (509) 304-9834

Cross Drains

Ranch on Swauk Creek  
Swauk Raod 'A' Segment 2.2

DATE: 7/5/06
REVISIONS:

○ subgrade



58+00	59+00	60+00	61+00	62+00	63+00	64+00	65+00	66+00	67+00	68+00	69+00	70+00	71+00
+00	+00			+00		+50		+00		+50			
41				981				280					
7				672				148					
SELF BALANCE				295				209					
				230				118					
				137				266					
				30				231					
										118			
										266			
										231			

○ Cut  
○ Fill  
Haul Sta- Yds

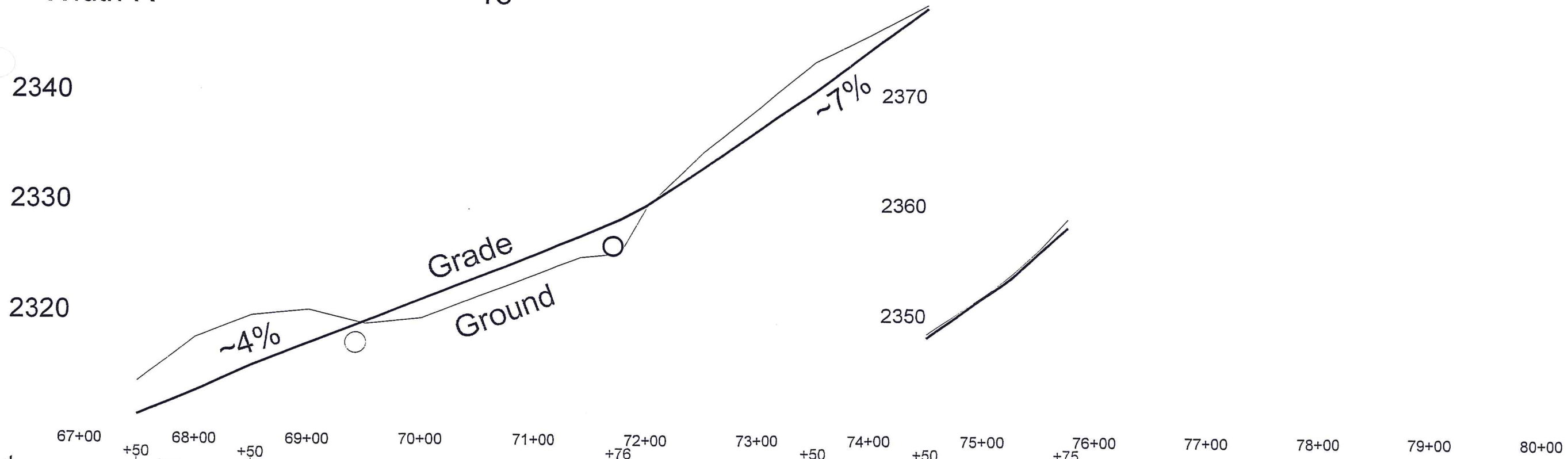
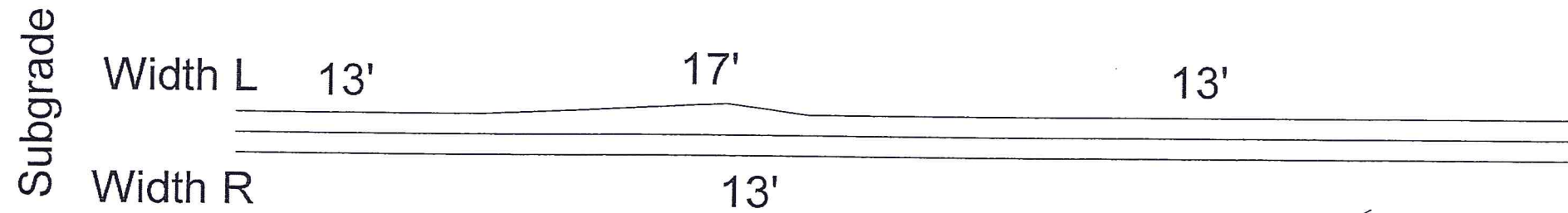
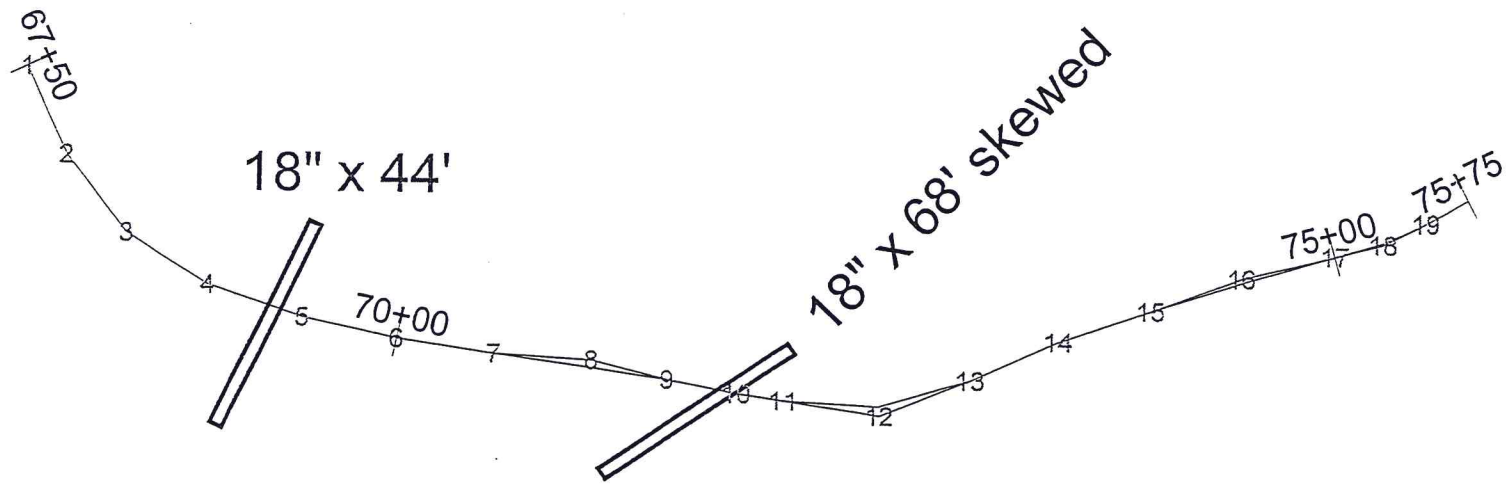
EVERGREEN VALLEY UTILITIES

P.O. BOX 808  
CLE ELUM, WASHINGTON 98922  
PH: (509) 304-9834

SHEET 2  
OF

Ranch on Swauk Creek  
Swauk Road 'A' Segment 2.3

DATE: 7/5/06
REVISIONS:



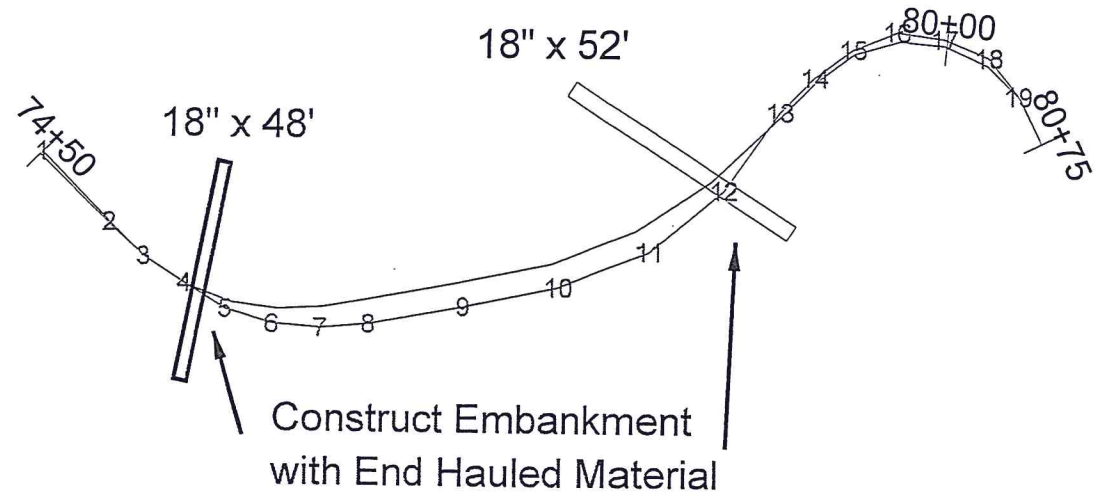
Station	Cut	Fill	Haul Sta- Yds
67+00			
68+00	+50	283	55
69+00	+50	0	
70+00			
71+00			
72+00	+76	149	68
73+00			
74+00	+50	292	112
75+00			
76+00	+75	56	7
77+00			
78+00			
79+00			
80+00			

**EVERGREEN VALLEY UTILITIES**  
P.O. BOX 808  
CLE ELUM, WASHINGTON 98922  
PH: (509) 304-9834

SHEET 3  
OF \_\_\_\_\_

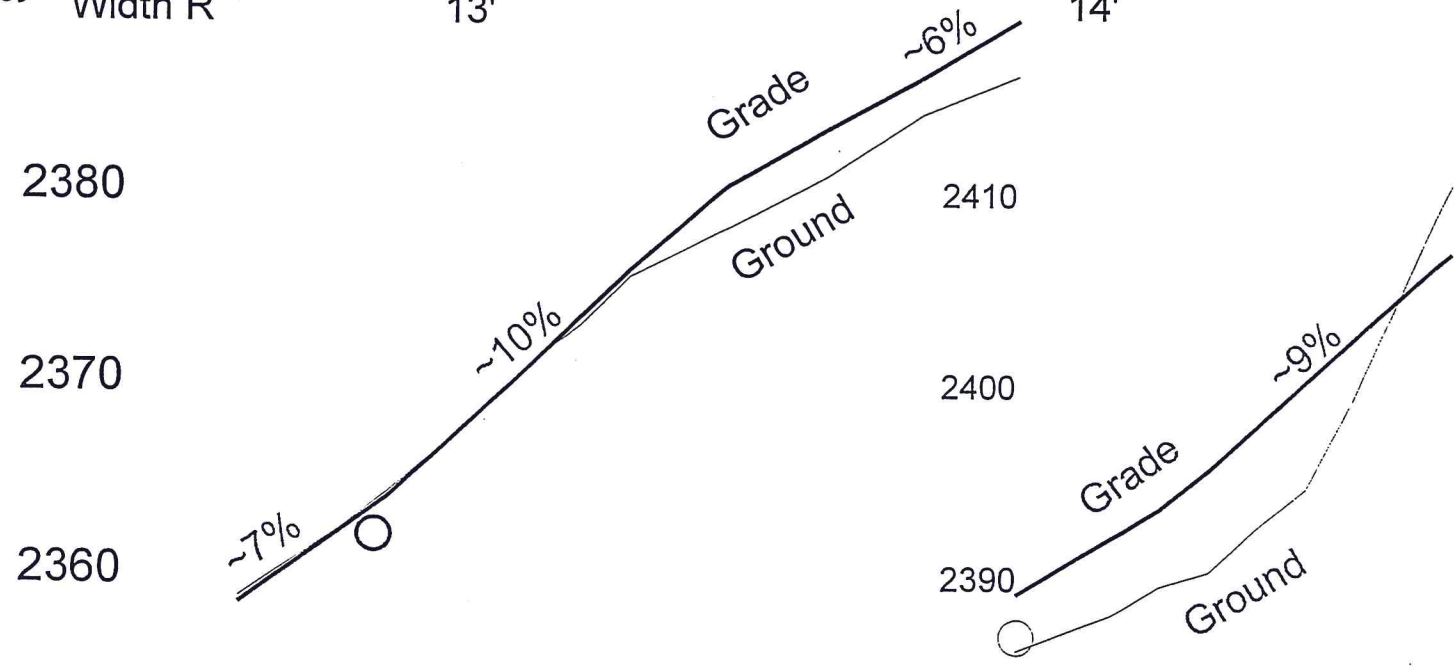
Ranch on Swauk Creek  
Swauk Road 'A' Segment 2.4

DATE: 7/10/06
REVISIONS:



Construct Embankment  
with End Hauled Material

Subgrade	Width L	13'	14'
	Width R	13'	14'

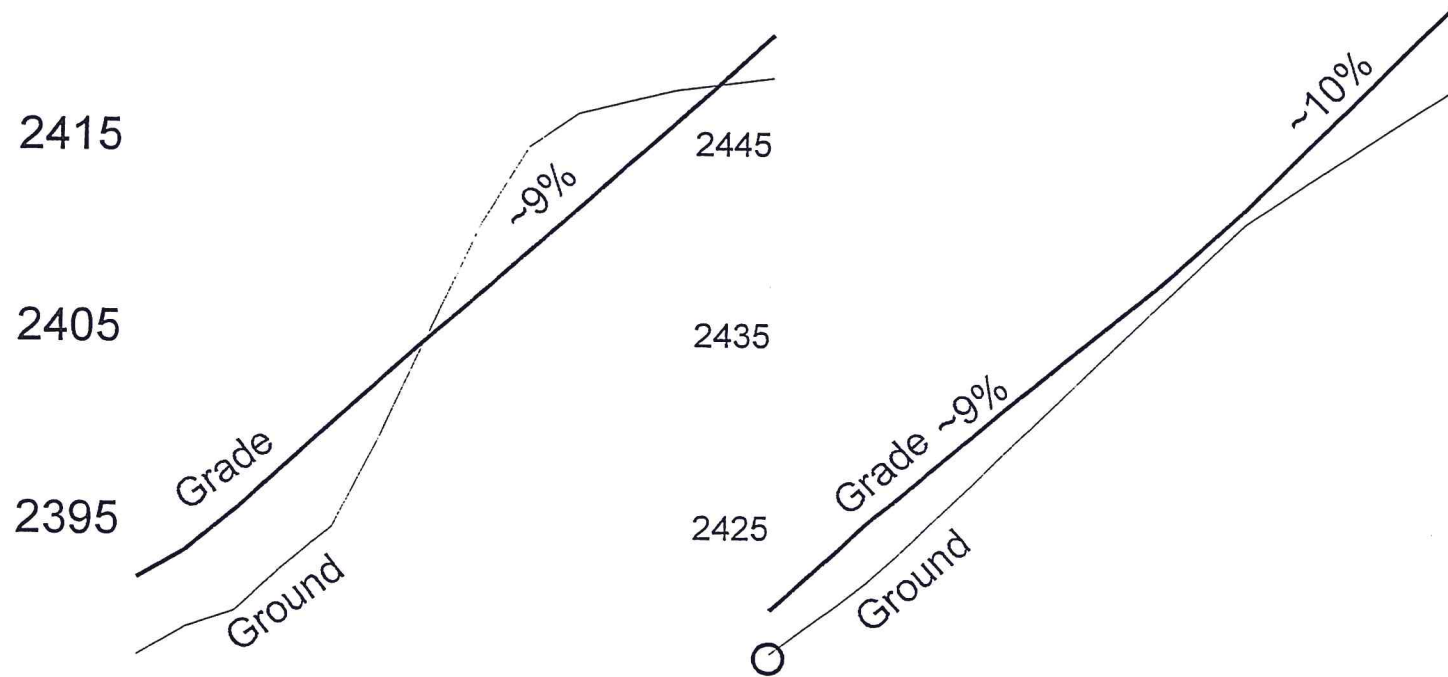
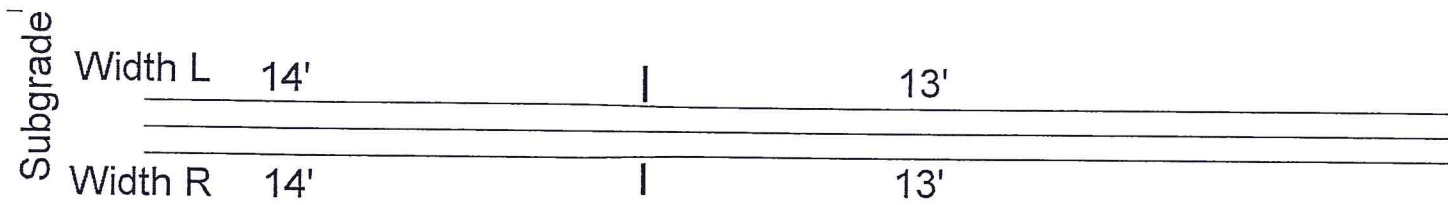
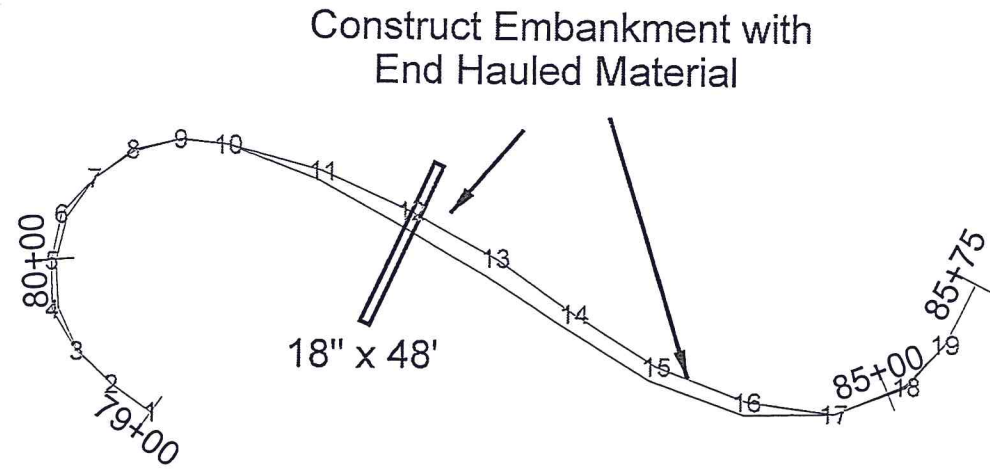


Cut	74+00	75+00	76+00	77+00	78+00	79+00	80+00	81+00	82+00	83+00	84+00	85+00	86+00	87+00
Fill	+50	+25						+75						
Haul Sta- Yds		22	174					174						
		1	1749					1749						
		SELF BALANCE	100					3100						

**EVERGREEN VALLEY UTILITIES**  
P.O. BOX 808  
CLE ELUM, WASHINGTON 98922  
PH: (509) 304-9834

Ranch on Swauk Creek  
Swauk Road 'A' Segment 2.5

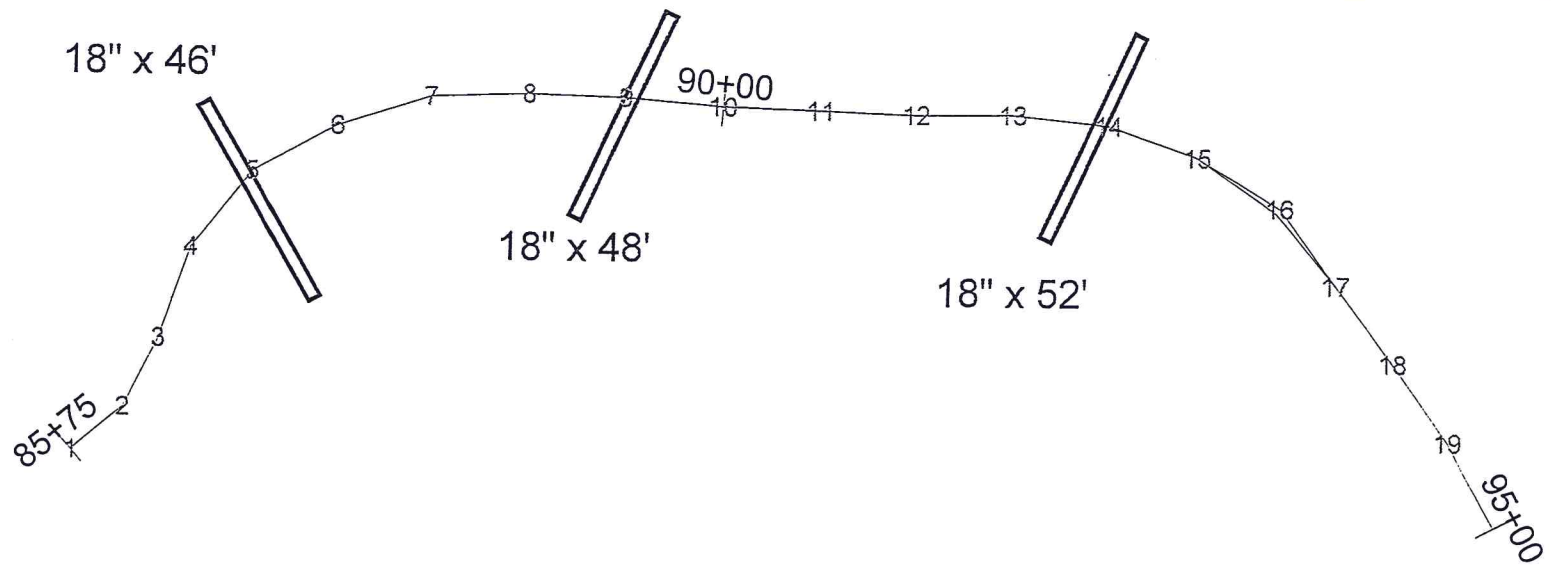
DATE: 7/10/06
REVISIONS:



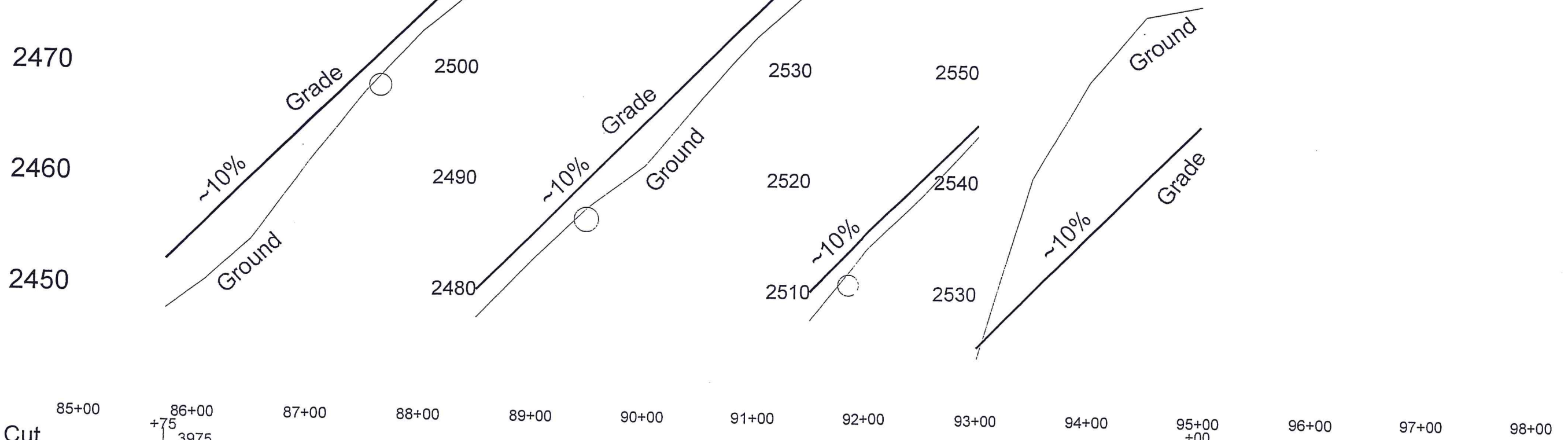
Cut	79+00	80+00	81+00	82+00	83+00	84+00	85+00	86+00	87+00	88+00	89+00	90+00	91+00	92+00
Fill	+00							+75						
Haul	789							789						
	2206							2206						
	5451							5451						

**EVERGREEN VALLEY UTILITIES**  
P.O. BOX 808  
CLE ELUM, WASHINGTON 98922  
PH: (509) 304-9834

Ranch on Swauk Creek  
Swauk Road 'A' Segment 2.6



Subgrade	Width L	14'	13'
	Width R	14'	13'



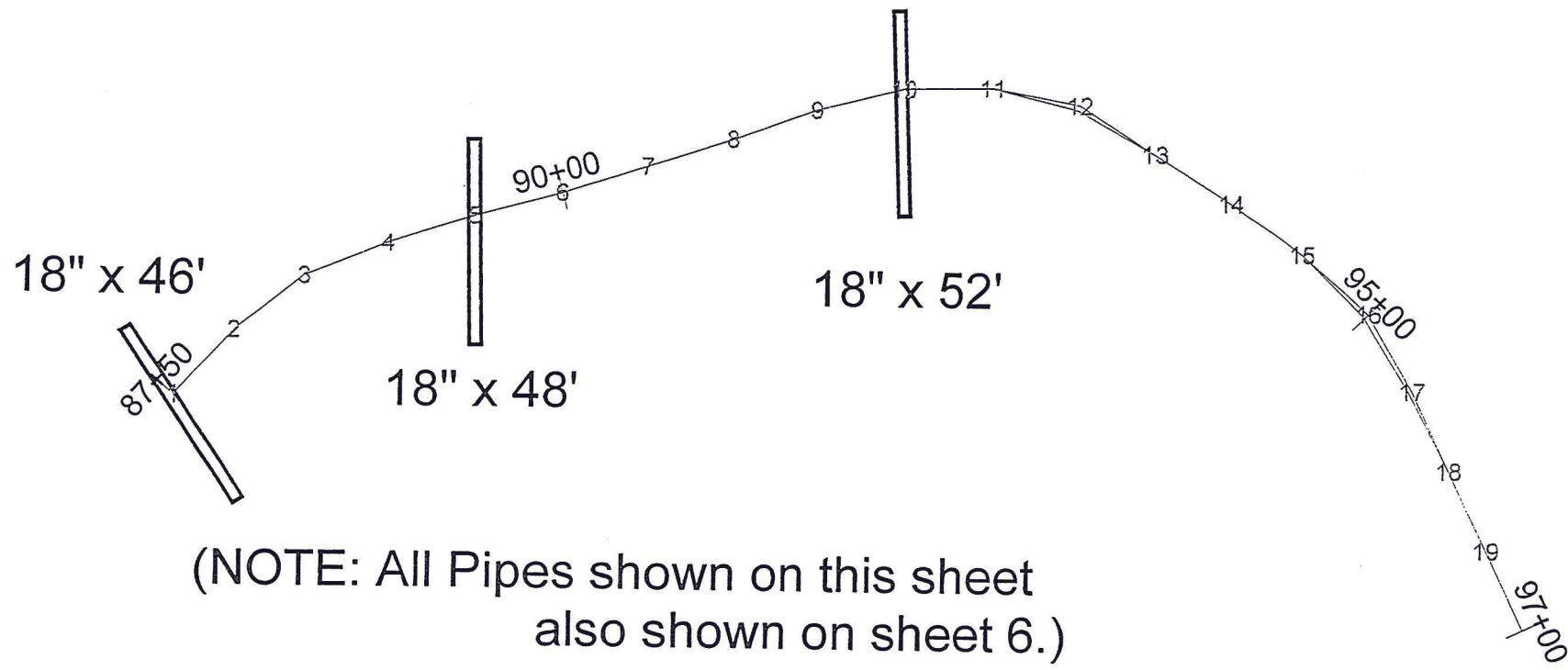
85+00	86+00
Cut	+75
Fill	3975
Haul Sta- Yds	2748
	20827

95+00
+00
3975
2748
20827

DATE: 7/5/06
REVISIONS:

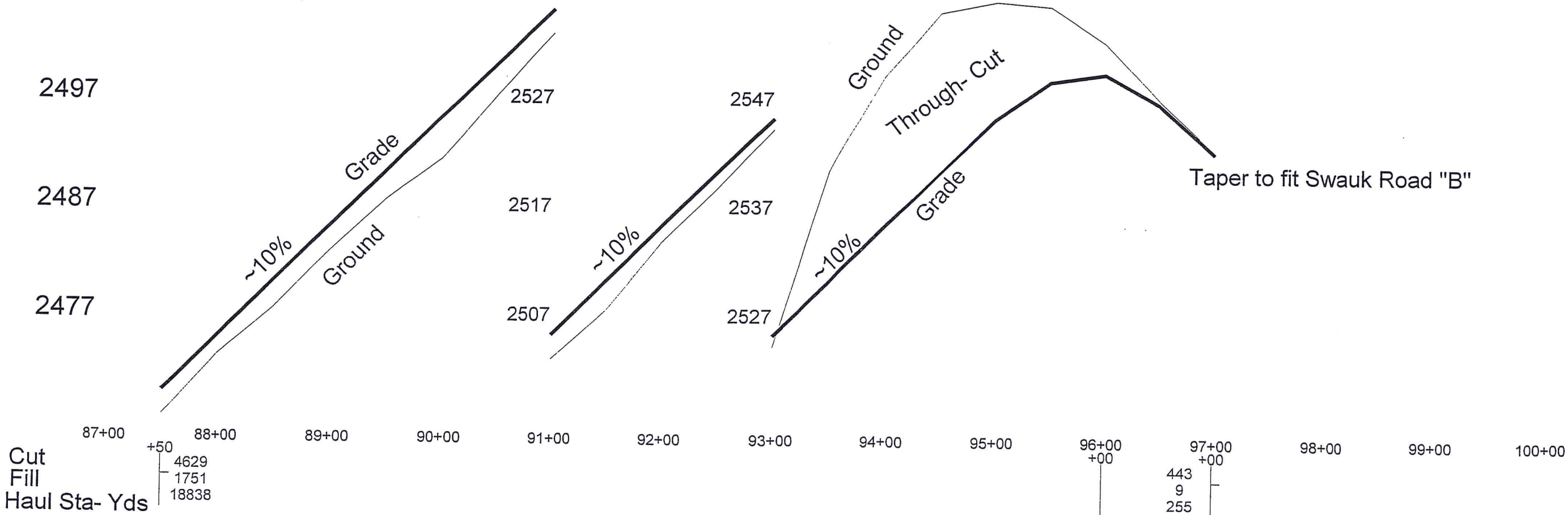
**EVERGREEN VALLEY UTILITIES**  
P.O. BOX 808  
CLE ELUM, WASHINGTON 98922  
PH: (509) 304-9834

Ranch on Swauk Creek  
Swauk Road 'A' Segment 2.7



(NOTE: All Pipes shown on this sheet also shown on sheet 6.)

Subgrade	Width L	14'	13'
	Width R	14'	13'



DATE: 7/5/06
REVISIONS:

**EVERGREEN VALLEY UTILITIES**  
P.O. BOX 808  
CLE ELUM, WASHINGTON 98922  
PH: (509) 304-9834